

# RESONANCE LTD

Optical Solutions & Technologies



## **PID Kit VUV Light Sources**

Hardware Manual Rev. 1

Jan 10, 2016

Resonance Ltd.

143 Ferndale Drive North, Barrie, Ontario, L4M 9V9, Canada

Tel: (705) 733-3633 Fax: (705) 733-1388

Email: [sales@resonance.on.ca](mailto:sales@resonance.on.ca)

PID-K12	Low Power PID Kit	Low power 10.6eV PID bulb 12mm OD5V DC 1600V AC exciter and electrode sleeve. Intensity $1 \times 10^{14}$ photons/second/steradian in VUV
PID-KMD-EX	Medium Power VUV PID kit exciter including housing and DC supply without Lamp bulbs	Medium power kit 12mm sleeve 24V DC RF 100 MHz exciter and exciter/bulb RF shielded enclosure. Intensity $1 \times 10^{15}$ photons/second/steradian in VUV

### 10.6 EV Typical Spectra

KrLM-L

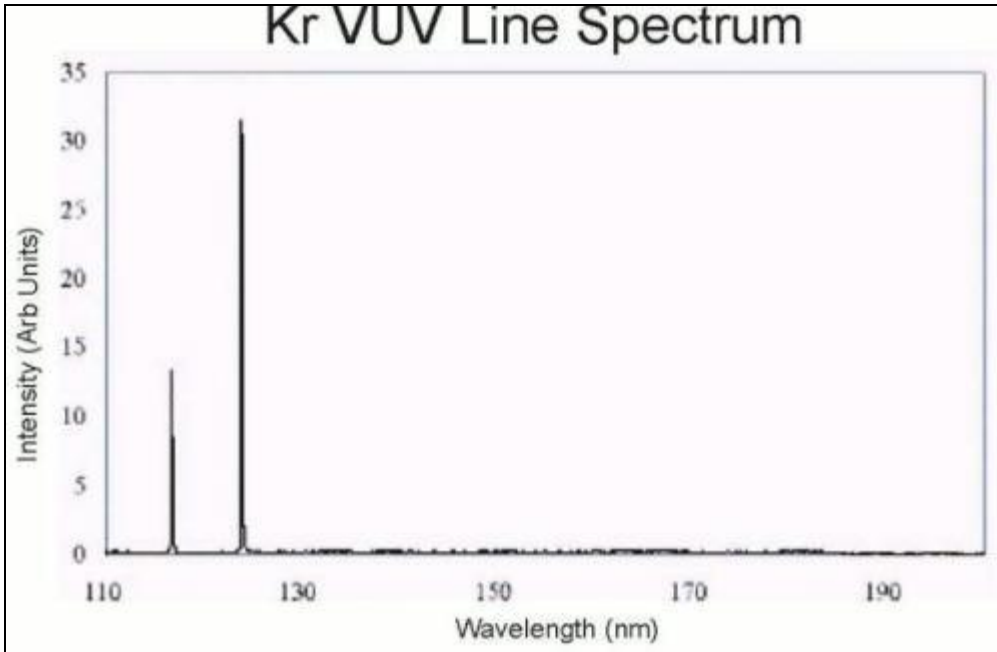


Figure 1 10.6 EV bulb spectrum (all kits)

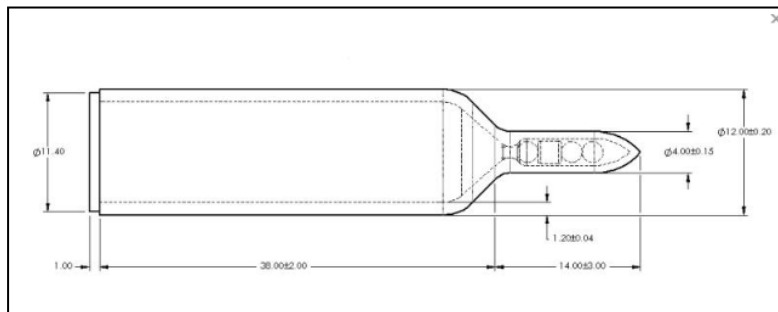


Figure 2 KrLM-LPV Bulb for low and medium power PID kits

## Low Power PID Kit Components

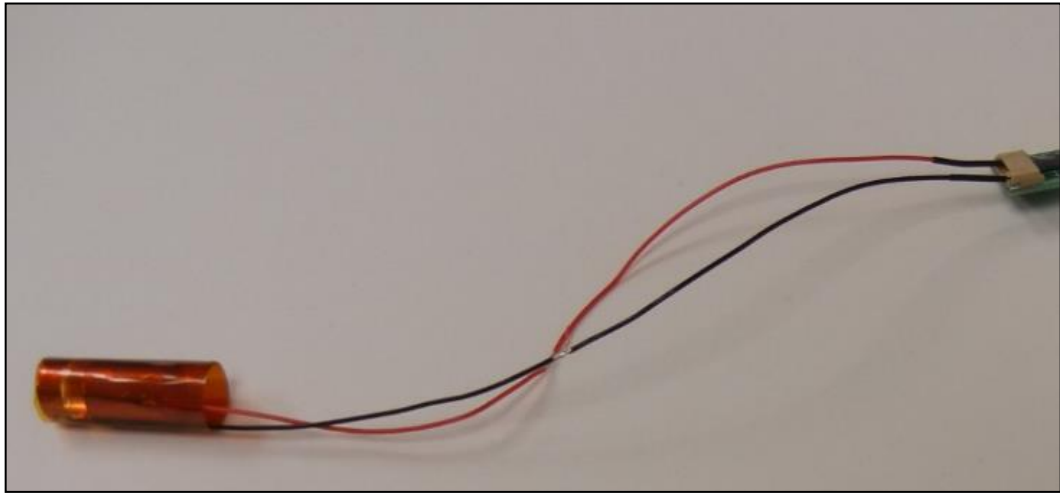


Figure 3 Low Power PID Kit Exciter Sleeve for 12 mm PID bulb

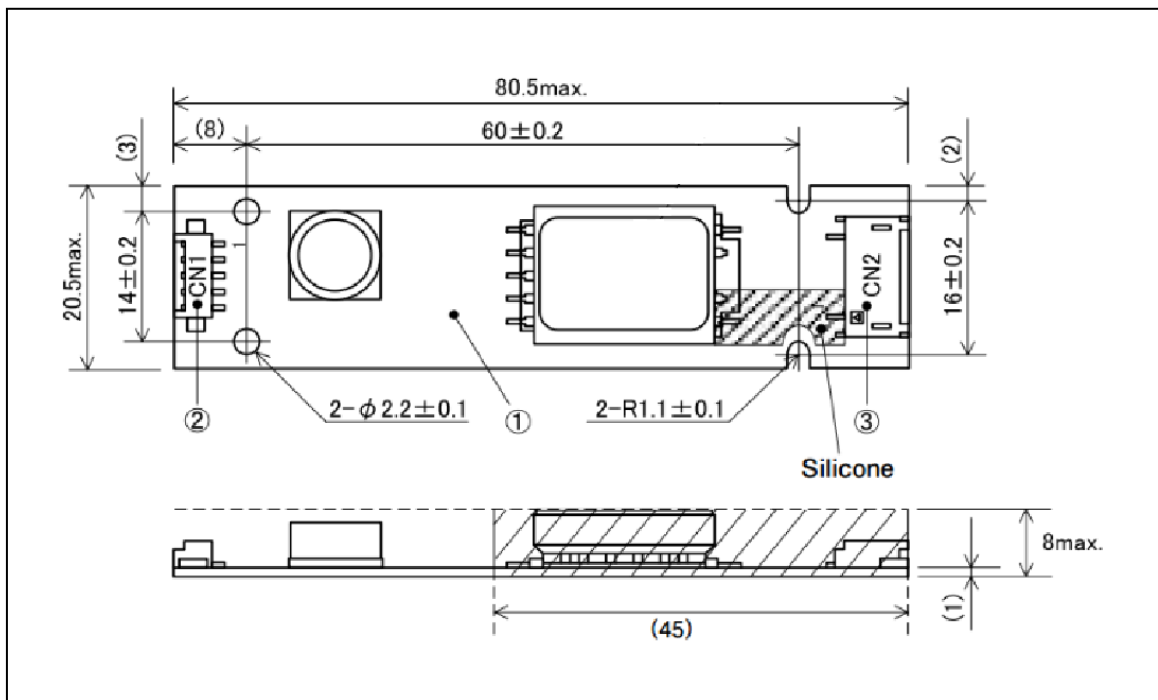


Figure 4 Exciter of low power PID kit

## ***Medium Power PID Kit Components***

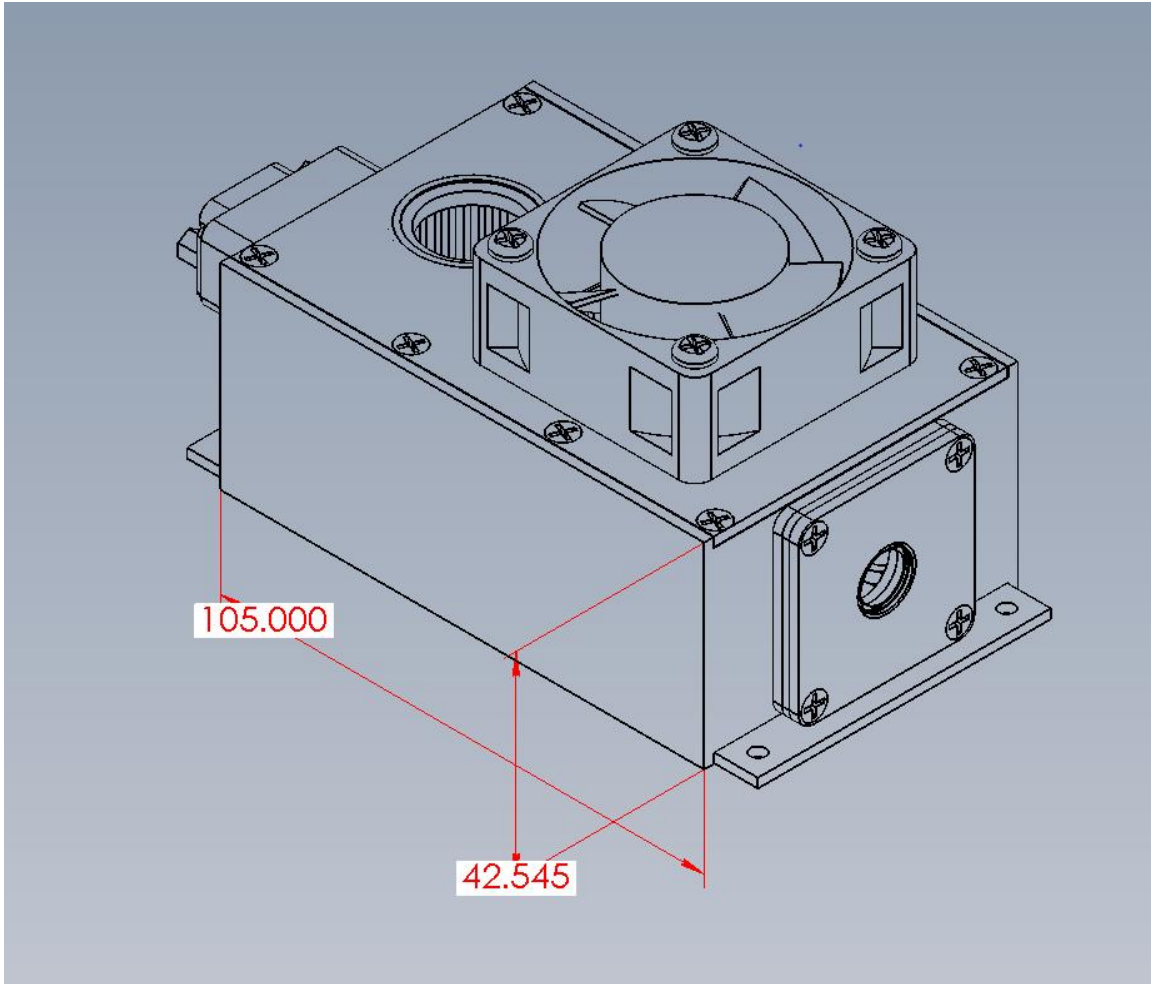


Figure 5 Medium Power PID Kit housing