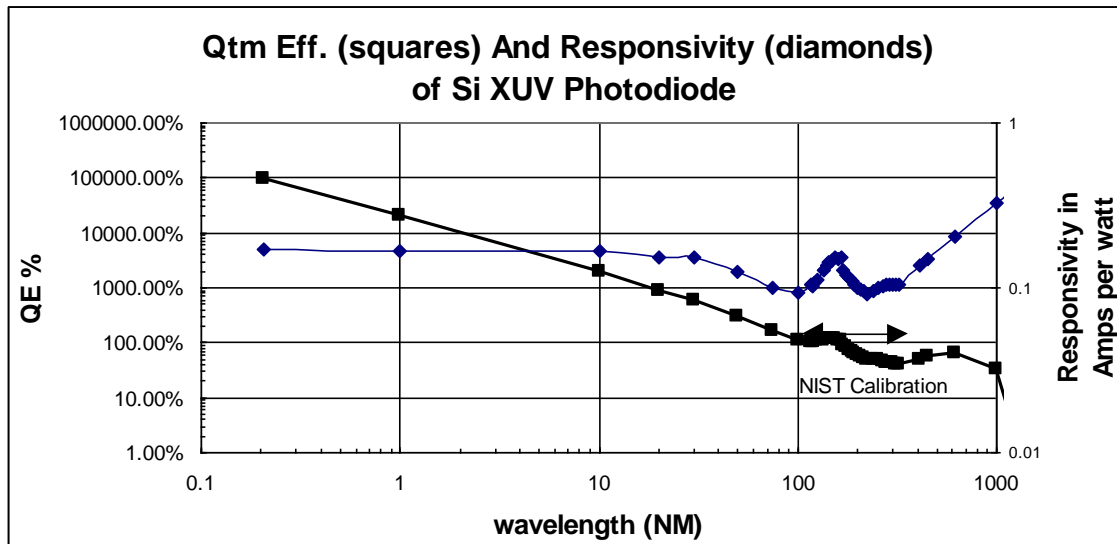
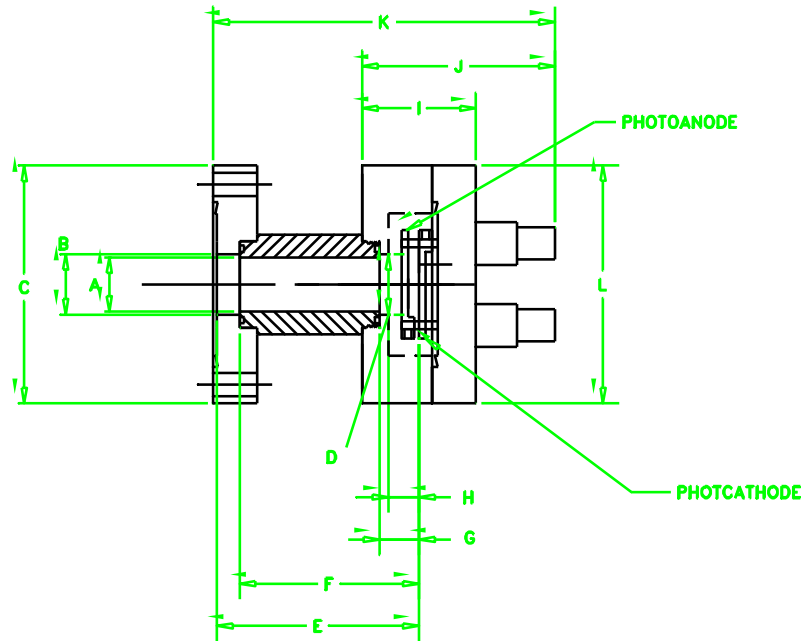


Model No:	Description:
SiX-D-L	This is an extended response silicon diode detector. This product is windowless and can be mounted directly onto a vacuum system via a 2.75" conflat flange with an adapter. This diode has response from the NIR to the XUV..

Electrical /Optical Specifications:				
Specification	Minimum	Typical	Maximum	Units
Bias Voltage	0	0	50	Vdc
Spectral Response	-	<0.1 to 1000	-	nm
Window Material		none		-
Peak wavelength	-	XUV	-	nm
Photo-cathode area	-	10 x 10	-	mm
Peak Cathode current	-	-	2	mA
Average Cathode current density	-	-	-	uA/cm ²
Average Cathode current	-	-	2	mA
Radiant sensitivity for 1 nm	50	160	350	mA/W
Radiant sensitivity for 10 nm	50	160	350	mA/W
Radiant sensitivity for 122 nm	50	100	250	mA/W
Radiant sensitivity for 254 nm	50	100	200	mA/W
Temperature range	-50	-	+60	° C
Capacitance	-	20	-	nF

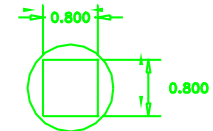
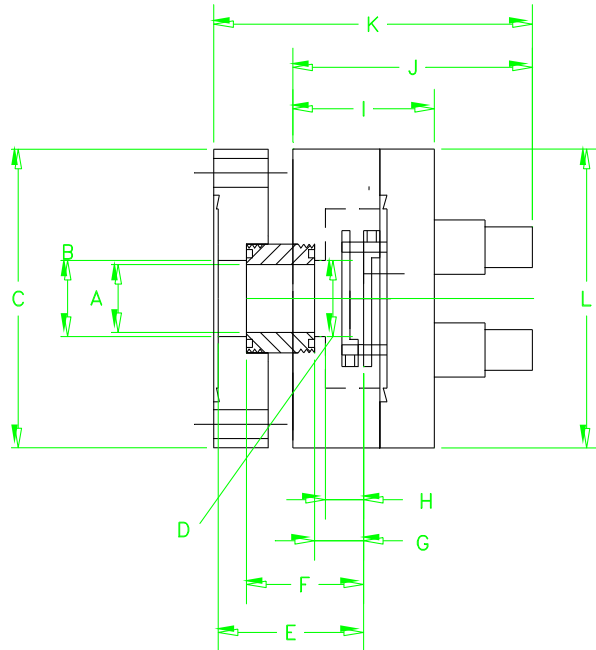


Mechanical Specifications (configuration A)



Dimension	Value	Unit
A	0.625 / 15.31	Inches/mm
B	0.700 / 17.15	Inches/mm
C	2.75 / 67.38	Inches/mm
D	0.700 / 17.15	Inches/mm
E	2.310 / 56.6	Inches/mm
F	2.050 / 50.23	Inches/mm
G	0.450 / 11.03	Inches/mm
H	0.350 / 8.58	Inches/mm
I	1.300 / 31.85	Inches/mm
J	2.200 / 53.90	Inches/mm
K	3.900 / 95.55	Inches/mm
L	2.75 / 67.38	Inches/mm
Tolerances	±0.005 / 0.12	Inches/mm
Materials		
Window	-	
Body	Aluminum	
Vacuum Adapters	Stainless Steel	

Mechanical Specifications (configuration B)



ANODE FORMS 0.800"
SQUARE APERTURE
0.125" FROM CATHODE

Dimension	Value	Unit
A	0.625 / 15.31	Inches/mm
B	0.700 / 17.15	Inches/mm
C	2.75 / 67.38	Inches/mm
D	0.700 / 17.15	Inches/mm
E	1.335 / 32.71	Inches/mm
F	1.075 / 26.34	Inches/mm
G	0.450 / 11.03	Inches/mm
H	0.350 / 8.58	Inches/mm
I	1.300 / 31.85	Inches/mm
J	2.200 / 53.90	Inches/mm
K	2.925 / 71.66	Inches/mm
L	2.75 / 67.38	Inches/mm
Tolerances	±0.005 / 0.12	Inches/mm
Materials		
Window	-	
Body	Aluminum	
Vacuum Adapters	Stainless Steel	

Features and Options

- **Amplifier available as an option**
- **On chip thin metal film filters available as a custom option**
- **Filter holder on available as a standard feature**
- **Light sources available**