



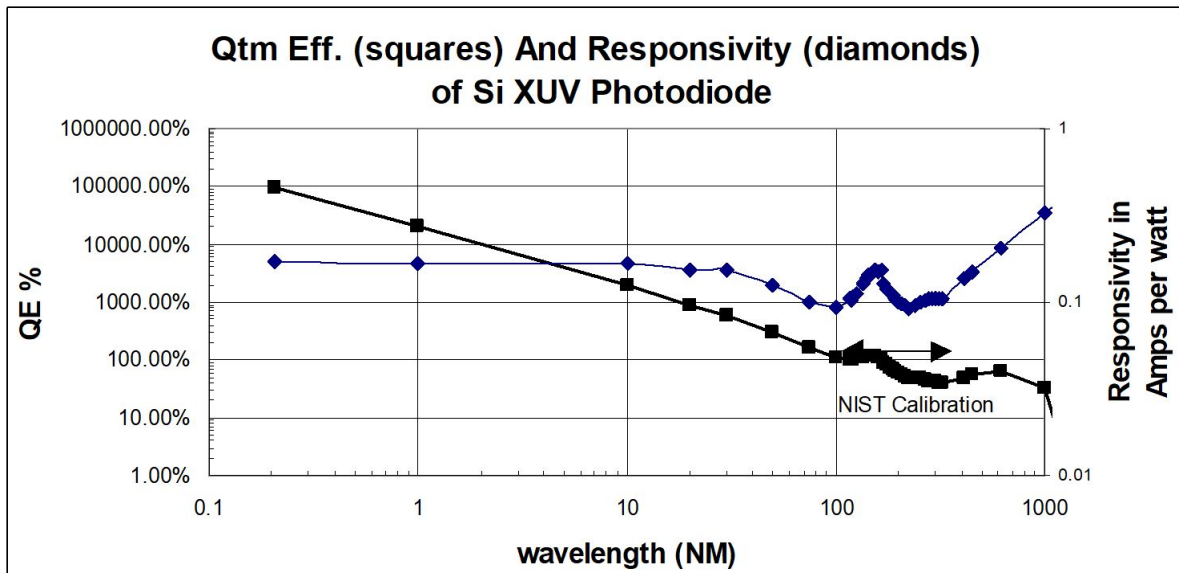
Detector SiX-D-L

This is an extended response silicon diode detector. This product is windowless and can be mounted directly onto a vacuum system via a 2.75" conflat flange with an adapter. This diode has response from the NIR to the XUV.

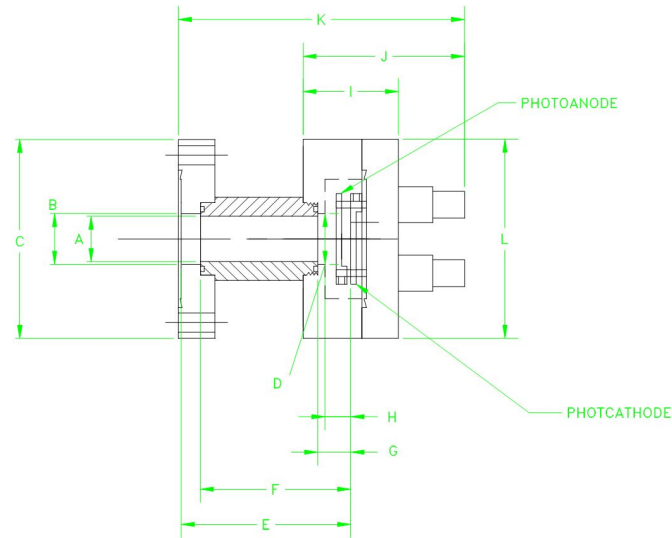
Electrical/Optical Specifications				
Specification	min	typical	max	units
Anode Supply Voltage	0	0	50	VDC
Spectral Response		<0.1-1000		nm
Window Material		none		
Peak Wavelength		XUV		nm
Photo-cathode Area		10x10		mm
Photo-cathode Current			2	uA
Average Cathode Current Density				uA/cm ²
Average Cathode Current			2	uA
Radiant Sensitivity for 1 nm	50	160	350	mA/W
Radiant Sensitivity for 10 nm	50	160	350	mA/W
Radiant Sensitivity for 122 nm	50	100	250	mA/W
Radiant Sensitivity for 254 nm	50	100	200	mA/W
Temperature Range	-50		+60	Celcius
Capacitance between Electrodes		20		nF

Features and Options

- Amplifier available as an option
- On chip thin metal film filters available as a custom option
- Filter holder on available as a standard feature
- Light sources available

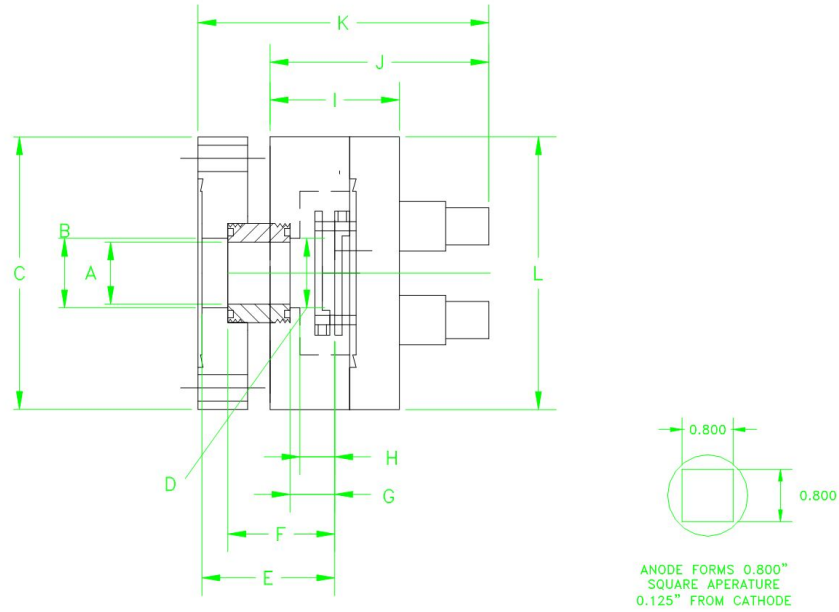


Mechanical Specifications Configuration A



Dimension	Value	Unit
A	0.625/15.31	inches/mm
B	0.700/17.15	inches/mm
C	2.75/67.38	inches/mm
D	0.700/17.15	inches/mm
E	2.310/56.6	inches/mm
F	2.050/50.23	inches/mm
G	.450/11.03	inches/mm
H	0.350/8.58	inches/mm
I	1.300/31.85	inches/mm
J	2.200/53.90	inches/mm
K	3.900/95.55	inches/mm
L	2.75/67.38	inches/mm
Tolerances	±0.005/0.12	inches/mm
Materials		
Window	Quartz	
Body	Aluminum	
Vacuum Adapters	Stainless Steel	

Mechanical Specifications Configuration B



Dimension	Value	Unit
A	0.625/15.31	inches/mm
B	0.700/17.15	inches/mm
C	2.75/67.38	inches/mm
D	0.700/17.15	inches/mm
E	1.335/32.71	inches/mm
F	1.075/26.34	inches/mm
G	0.450/11.03	inches/mm
H	0.350/8.58	inches/mm
I	1.300/31.85	inches/mm
J	2.200/53.90	inches/mm
K	2.925/71.66	inches/mm
L	2.75/67.38	inches/mm
Tolerances	±0.005/0.12	inches/mm
Materials		
Body	Aluminum	
Vacuum Adapters	Stainless Steel	