

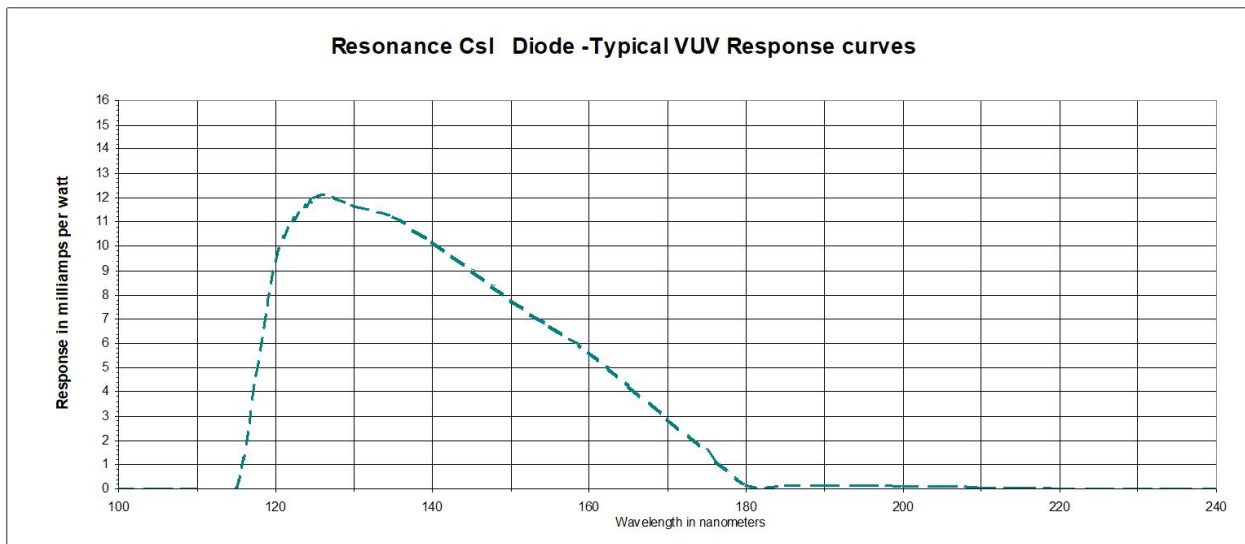


## Detector CsIM-D-L

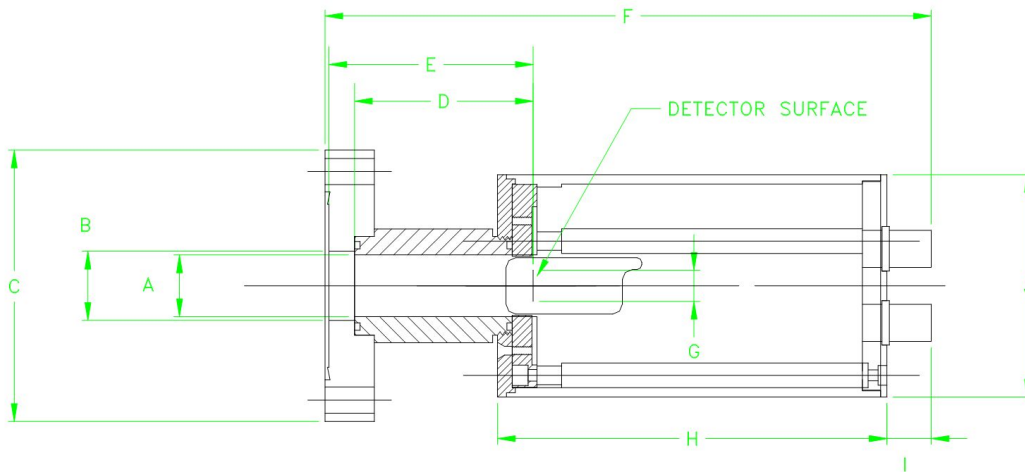
This is a VUV CsI diode detector. This product has a magnesium fluoride window and can be mounted directly onto a vacuum system via a 2.75" conflat flange with an adapter. This diode (typically) has a 10% peak quantum efficiency.

Electrical/Optical Specifications				
Specification	min	typical	max	units
Anode Supply Voltage	10	15	100	VDC
Spectral Response		112-180		nm
Window Material		MgF2		
Peak Wavelength		125		nm
Photo-cathode Diameter		8		mm
Photo-cathode Current			1.2	uA
Average Cathode Current Density			5	uA/cm <sup>2</sup>
Average Cathode Current			0.4	uA
Luminous Sensitivity				
Radiant Sensitivity for 122 nm		11		mA/W
Radiant Sensitivity for 125 nm		12		mA/W
Radiant Sensitivity for 160 nm		5.5		mA/W
Temperature Range	-80		+50	Celcius
Capacitance between Electrodes		2.4		pF
Dark Current		1		pA

Electrical Interface			
Nomenclature	Description	Connector Type	Required
Anode	Bias voltage for supply	BNC type	Y
Cathode	Output current for signal	BNC type	Y

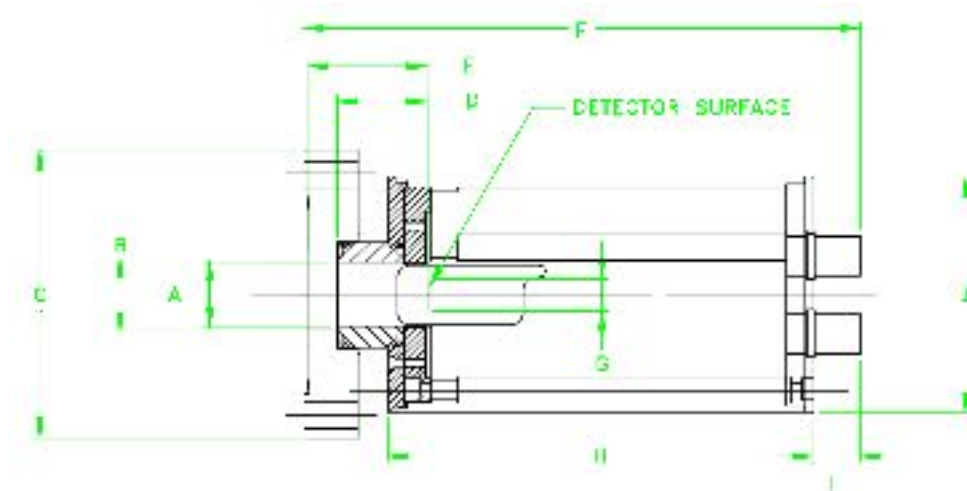


## Mechanical Specifications Configuration A



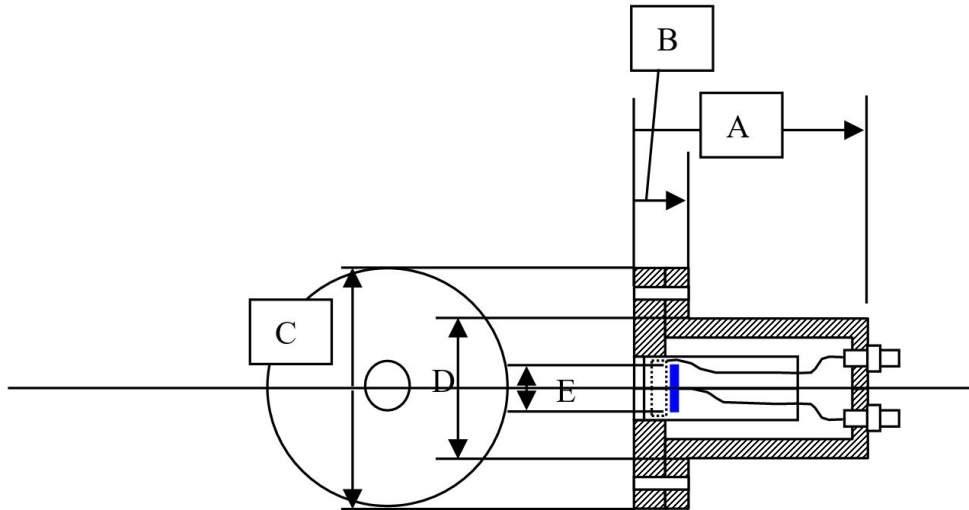
Dimension	Value	Unit
A	0.625/15.31	inches/mm
B	0.700/17.15	inches/mm
C	2.75/67.38	inches/mm
D	1.812/44.39	inches/mm
E	2.072/50.76	inches/mm
F	6.150/150.68	inches/mm
G	0.315/7.72	inches/mm
H	3.949/96.75	inches/mm
I	0.450/11.03	inches/mm
J	2.250/55.13	inches/mm
Tolerances	±0.005/0.12	inches/mm
<b>Materials</b>		
Window	Quartz	
Body	Aluminum	
Vacuum Adapters	Stainless Steel	

## Mechanical Specifications Configuration B



Dimension	Value	Unit
A	0.625/15.31	inches/mm
B	0.700/17.15	inches/mm
C	2.75/67.38	inches/mm
D	0.837/20.51	inches/mm
E	1.097/26.88	inches/mm
F	5.175/126.79	inches/mm
G	0.315/7.72	inches/mm
H	3.949/96.75	inches/mm
I	0.450/11.03	inches/mm
J	2.250/55.13	inches/mm
Tolerances	±0.005/0.12	inches/mm
<b>Materials</b>		
Window	Quartz	
Body	Aluminum	
Vacuum Adapters	Stainless Steel	

**Mechanical Specifications Configuration C**



Dimension	Value	Unit
A	1.55	inches
B	0.35	inches
C	1.50	inches
D	1.04	inches
E	8.0	mm
Tolerances	±0.005/0.12	inches/mm
<b>Materials</b>		
Window	Quartz	
Body	Aluminum	